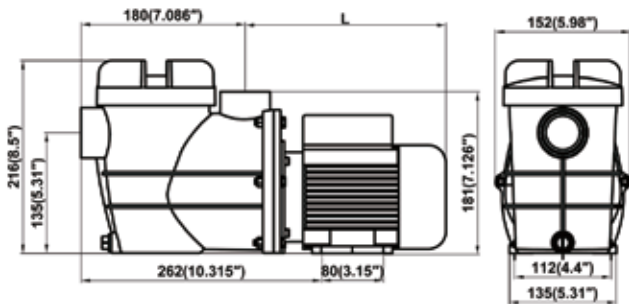


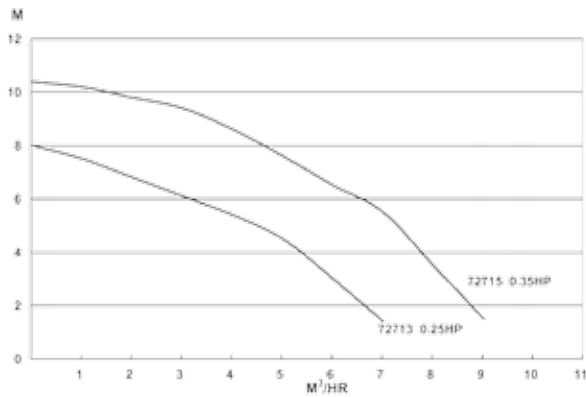
These pumps used advanced technology with high efficiency and minimized noise. The pumps are designed and manufactured according to all the requirements by ETL & CETL. Pump casing is made of reinforced plastic.



Dimensions



Performance Curves



Application

- Small size above ground pools of all types (including in-floor cleaning systems solar heating systems water features or water garden)

Features

- All components molded of corrosion-proof reinforced thermoplastic for extra durability and long life
- Using of the mechanical seals to lengthen the life and lower the noise.

Model Number	H.P.	Voltage	Hertz	Amps	Flow Rate	Pipe Size	Dimension "L"	Weight Kg (lbs)	Carton Dimension (cm)
72713	0.25	115	60	2.2	33GPM	1 1/2"	240(9.5")	5.4(11.9)	45*17*26
72715	0.35	115	60	3.8	40GPM	1 1/2"	240(9.5")	6.3(13.8)	45*17*26