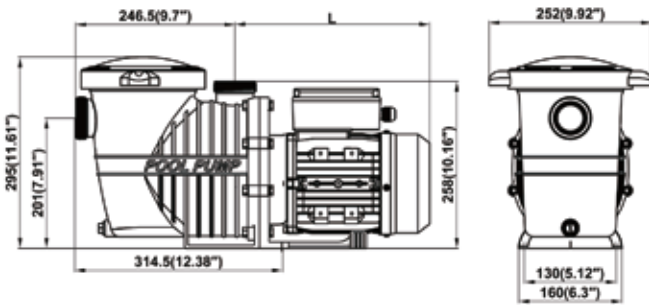


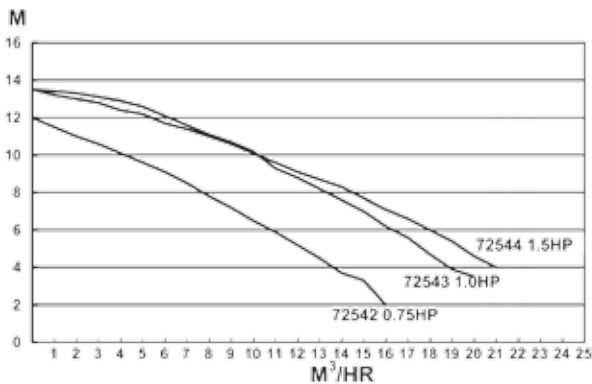
These self-priming pumps used advanced technology with high efficiency and minimized noise. The pumps are designed and manufactured according to all the requirements by CE/GS/SAA/VDE. And the pumps are IPX5 approved. Pump casing is made of reinforced plastic. The strainer includes a big filter basket, a see-thru cover for quick inspect of the strainer.



Dimensions



Performance Curves



Application

- Swimming pools of all types and sizes (including in-floor cleaning systems, solar heating systems, water features)
- In-ground spas or in-ground pool / spa combinations

Features

- Self-priming (suction lift up to 6' above water level)
- Easy thread design makes strainer cover removal easy
- See-thru strainer cover for you quick check when basket needs cleaning.
- Special PVC connector for quick connect and less time using. As following picture shows "optional connectors"
- All components molded of corrosion-proof reinforced thermoplastic for extra durability and long life
- Service-easy designed drain plug for easy maintenance in winter
- Using of the mechanical seals to lengthen the life and lower the noise.



Optional connectors



Model Number	H.P.	Voltage	Hertz	Amps	Flow Rate	Pipe Size	Dimension "L"	Carton Dimension (cm)
72542	0.75	220~240	50	3.5	15m³/h	1 1/2"	281(11")	61*22.5*30.5
72543	1.0	220~240	50	4.5	18m³/h	1 1/2"	316(12.4")	61*21.5*32
72544	1.5	220~240	50	6.4	20m³/h	1 1/2"	316(12.4")	61*21.5*32