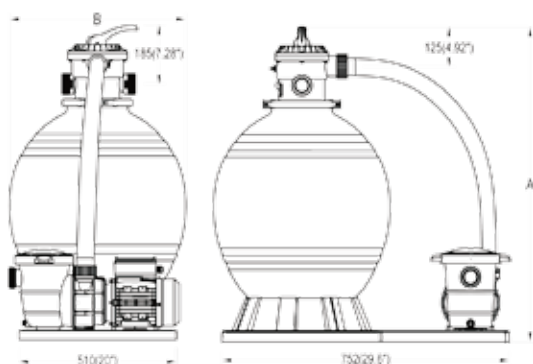


Sand filter systems are designed and equipped to offer the ideal combination of energy efficiency and outstanding water clarity. A broad selection of filter sizes, pumps, and accessories allows you to choose and merchandise the systems that best suit your pool.



Dimensions



Model Number	A mm(in)	B mm(in)
72055/72058/72255 72258/72062/72262	865(34)	460(18)
72059/72259/72063/72263	998(39.3)	560(22)
72060/72260/72064/72264	1150(45.3)	650(26)

Model Number	Voltage /Hertz	Description	Pump certificate	flow m ³ /H(GPM)	Pool Size (m ³)	Carton Dimension (cm)
72055	230/50	18"(73045)Filter with 0.35hp(72515),1 carton	CE SAA	7(30)	45~65	52*77*66
72058	230/50	18"(73045)Filter with 0.75hp(72528),1 carton	CE SAA	9(40)	54~72	55*77*66
72059	230/50	22"(73055)Filter with 1.0hp(72529),1 carton	CE SAA	10(45)	60~80	60*79*79
72060	230/50	26"(73065)Filter with 1.5hp(72530),1 carton	CE SAA	12(53)	72~96	70*83*93
72255	115/60	18"(73045)Filter with 0.35hp(72715),1 carton	ETL	7(30)	45~65	52*77*66
72258	115/60	18"(73045)Filter with 0.75hp SPL(72728),1 carton	ETL CSA	9(40)	54~72	60*77*66
72259	115/60	22"(73055)Filter with 1.5hp SPL(72729),1 carton	ETL CSA	10(45)	60~80	60*79*99
72260	115/60	26"(73065)Filter with 1.5hp SPL(72730),1 carton	ETL CSA	12(53)	72~96	70*83*93

Model Number	Voltage /Hertz	Description	Pump certificate	flow m ³ /H(GPM)	Pool Size (m ³)	Carton Dimension (cm)
72062	230/50	18"(73045)Filter with 0.75hp(72542),1 carton	CE SAA	9(40)	54~72	81*52*67
72063	230/50	22"(73055)Filter with 1.0hp(72543),1 carton	CE SAA	10(45)	60~80	87*57*76.5
72064	230/50	26"(73065)Filter with 1.5hp(72544),1 carton	CE SAA	12(53)	72~96	88*67*90
72262	115/60	18"(73045)Filter with 0.75hp(72742),1 carton	ETL CSA	9(40)	54~72	88*67*90
72263	115/60	22"(73055)Filter with 1.0hp(72743),1 carton	ETL CSA	10(45)	60~80	88*67*90
72264	115-230/60	26"(73065)Filter with 1.5hp(72744),1 carton	ETL CSA	12(53)	72~96	88*67*90

System Features

- Systems are designed for quick assembly and precise alignment of components
- Pumps and filters are performance-matched to provide maximum flow and energy efficiency
- Filter bases are molded of PP for long-lasting performance
- 7-position valve provides maximum flow at low pressure drop

Filter Valve Functions

BACKWASH – For cleaning filter sand bed of accumulated debris

RINSE – Use after completing backwash cycle to ensure all dirty water is rinsed out of the filter to waste

WASTE – By-passes the filter for draining or lowering pool water level and for vacuuming heavy debris directly to waste line

RECIRCULATE – Water is recirculate through the valve, bypassing the filter.

CLOSED – Shuts off the flow from the pump to the filter

FILTER – For normal filtering and regular vacuuming

WINTER – For winterizing